

Fan heaters

AREO 8 - 101 kW



Vertical installation



Horizontal installation



2-pipe system



Heating

PLUS

- ✓ Low noise levels
- ✓ Wide operating range (up to 60 °C intake air)
- ✓ Axial fan with blades with an aerodynamic profile (HyBlade® technology)
- ✓ Electric motor, class F, approved for continuous operation
- ✓ Economical version with single-speed and single-phase power supply

Hygrothermal comfort in the industrial and commercial sectors

In line with recent regulatory developments regarding energy efficiency, Galletti is updating its offering of fan heaters for heating systems to be used in industrial and commercial environments of any volume.

The new AREO, which was designed to meet the stringent requirements of the ERP Directive, retains unchanged the distinctive aspects of the original design, that is, extreme reliability and sturdiness.

AREO's cover, which is made of pre-painted steel sheet, possesses an original design with a rounded shape that enhances its aesthetic form.

The AREO range consists of 18 models that can be either wall mounted (horizontal air flow) or ceiling mounted (vertical air flow).

The units are available in 6 sizes with 2-, 3- or 4-row heat exchangers ensuring an efficient performance with hot water supplied by a boiler or heat pump (4-row models).



AVAILABLE VERSIONS

Single-phase and three-phase electric power supply

AREO P

Fan heaters for hot water heating, with side water connections.

AREO H

Fan heaters for hot water heating, with vertical water connections, for replacement of indoor units installed in existing systems.

AREO S

Fan heaters for steam heating, with vertical water connections.

AREO L

Fan heaters for hot water heating, equipped with air-curtain diffuser, ceiling mounted.



MAIN COMPONENTS

Fan drive assembly

The motor and fan are a single integrated unit optimized to achieve maximum aerodynamic efficiency. In fact, conformity to ERP2015 is guaranteed, even for the versions with single-phase power supply.

Electric motor

Tropicalized motor directly coupled to an external rotor, standard, with the following features:

- equipped with internal thermal protection
- windings in class F
- protection rating IP54
- maintenance-free ball bearings

Axial fan

With blades with an optimized aerodynamic profile (HyBlade® technology), statically balanced, inserted in a housing that enhances aerodynamic performance and minimizes noise.



Cabinet

Made of pre-painted steel sheet, complete with ABS corners, and manually adjustable aluminum baffles located on the air outlet for optimum distribution in the room to be heated.



Safety cage

Made of electrogalvanized steel wire, it supports the motor and is fixed to the cabinet by means of vibration-damping supports.

Heat exchanger

Made of copper pipes and aluminium fins of high thermal conductivity to optimize heat exchange.

ACCESSORIES

CONTROL PANELS

CST	Delta/star selector for installation in electric panels
CSTP	Delta/star selector for wall mounting
TA	Ambient thermostat
CSD	Wall-mounted potentiometer for opening and closing the PAE MM motor driven louver

MOUNTING BOARDS

DFP	Wall mounting board
DFC	Column mounting board
DFO	Adjustable wall/column mounting board

PROTECTIVE MESH FOR GYMS (BALL SHIELD)

R	Protective mesh for gyms
----------	--------------------------

DIFFUSERS

DO	Two-row fin diffuser
LA	Air curtain diffuser (only for AREO L)

EXTERNAL AIR INTAKE

PAE	External air intake
PAEM	Manual mixing louver (only for AREO P)
PAEMM	Motor driven mixer louver, modulating motor, power supply 24V, spring return (only for AREO P)

EXTERNAL AIR INTAKE RAIN PROTECTION GRILLE

GR	External air intake rain protection grille
-----------	--

Rated technical data

AREO P		12	12	13	13	14	14
Power supply	V-ph-Hz	230-1-50	230-1-50	230-1-50	230-1-50	230-1-50	230-1-50
Speed rotor	n ° poli	4	6	4	6	4	6
Motor connections	-	Mono	Mono	Mono	Mono	Mono	Mono
Air flow	m³/h	1280	1000	1140	900	1040	800
Heating capacity (1)	kW	9,77	8,48	12,4	10,7	14,2	11,9
Water flow (1)	l/h	863	749	1097	946	1252	1047
Water pressure drop (1)	kPa	29	23	22	17	17	12
Sound power level (2)	dB(A)	64	59	64	59	65	60
Power input	W	67	49	69	50	70	51

AREO P		22	22	23	23	24	24
Power supply	V-ph-Hz	230-1-50	230-1-50	230-1-50	230-1-50	230-1-50	230-1-50
Speed rotor	n ° poli	4	6	4	6	4	6
Motor connections	-	Mono	Mono	Mono	Mono	Mono	Mono
Air flow	m³/h	3020	2100	2630	1850	2600	1800
Heating capacity (1)	kW	19,9	16,2	25,6	20,6	28,9	22,9
Water flow (1)	l/h	1754	1432	2256	1820	2555	2022
Water pressure drop (1)	kPa	23	16	29	20	19	13
Sound power level (2)	dB(A)	76	64	76	65	77	65
Power input	W	198	110	210	114	212	120

AREO P		32	32	32	33	33	33	34	34	34
Power supply	V-ph-Hz	230-1-50	400-3-50	400-3-50	230-1-50	400-3-50	400-3-50	230-1-50	400-3-50	400-3-50
Speed rotor	n ° poli	4	4	6	4	4	6	4	4	6
Motor connections	-	Mono	Delta	Star	Mono	Delta	Star	Mono	Delta	Star
Air flow	m³/h	4500	4300	3200	4150	4000	2900	4050	3900	2800
Heating capacity (1)	kW	35,6	34,7	29,2	39,5	38,6	31,8	45,1	44,0	35,6
Water flow (1)	l/h	3143	3060	2579	3486	3411	2806	3980	3886	3145
Water pressure drop (1)	kPa	20	19	14	18	17	12	29	28	19
Sound power level (2)	dB(A)	76	76	69	76	76	69	77	77	70
Power input	W	320	315	175	340	330	180	345	340	182

(1) Water temperature 85/75 °C, air temperature 15 °C

(2) Sound power measured according to standards ISO 3741 and ISO 3742



Rated technical data

AREO P		42	42	42	43	43	43	44	44	44
Power supply	V-ph-Hz	230-1-50	400-3-50	400-3-50	230-1-50	400-3-50	400-3-50	230-1-50	400-3-50	400-3-50
Speed rotor	n ° poli	4	4	6	4	4	6	4	4	6
Motor connections	-	Mono	Delta	Star	Mono	Delta	Star	Mono	Delta	Star
Air flow	m³/h	6900	7100	5600	6400	6550	5300	6200	6400	5150
Heating capacity (1)	kW	53,4	54,3	47,4	59,6	60,4	53,2	66,8	68,1	59,5
Water flow (1)	l/h	4718	4793	4185	5259	5329	4695	5894	6009	5250
Water pressure drop (1)	kPa	37	38	30	36	37	30	23	24	19
Sound power level (2)	dB(A)	75	73	67	74	74	68	75	75	69
Power input	W	623	650	450	635	690	465	655	700	470

AREO P		52	52	52	53	53	53	54	54	54
Power supply	V-ph-Hz	230-1-50	400-3-50	400-3-50	230-1-50	400-3-50	400-3-50	230-1-50	400-3-50	400-3-50
Speed rotor	n ° poli	6	4	6	6	4	6	6	4	6
Motor connections	-	Mono	Delta	Star	Mono	Delta	Star	Mono	Delta	Star
Air flow	m³/h	6400	8200	6800	6200	7900	6450	5900	7600	6200
Heating capacity (1)	kW	48,6	55,9	50,3	60,8	70,2	62,3	66,3	77,4	68,3
Water flow (1)	l/h	4294	4934	4445	5373	6202	5497	5852	6834	6033
Water pressure drop (1)	kPa	17	22	18	19	25	20	21	27	22
Sound power level (2)	dB(A)	69	75	71	69	76	72	71	77	73
Power input	W	370	725	760	374	732	775	380	755	780

AREO P		62	62	62	63	63	63	64	64	64
Power supply	V-ph-Hz	230-1-50	400-3-50	400-3-50	230-1-50	400-3-50	400-3-50	230-1-50	400-3-50	400-3-50
Speed rotor	n ° poli	6	6	8	6	6	8	6	6	8
Motor connections	-	Mono	Delta	Star	Mono	Delta	Star	Mono	Delta	Star
Air flow	m³/h	8600	8900	7100	7695	8300	6500	7500	7650	6000
Heating capacity (1)	kW	85,7	87,5	76,2	79,3	101	86,4	99,6	100	85,8
Water flow (1)	l/h	7567	7722	6731	7002	8943	7626	8795	8913	7571
Water pressure drop (1)	kPa	21	22	17	18	30	23	29	29	22
Sound power level (2)	dB(A)	70	71	66	69	72	67	71	72	67
Power input	W	555	565	360	560	575	380	582	590	390

(1) Water temperature 85/75 °C, air temperature 15 °C

(2) Sound power measured according to standards ISO 3741 and ISO 3742

Rated technical data

AREO H		13	13	23	23	33	33	33
Power supply	V-ph-Hz	230-1-50	230-1-50	230-1-50	230-1-50	230-1-50	400-3-50	400-3-50
Speed rotor	n ° poli	4	6	4	6	4	4	6
Motor connections	-	Mono	Mono	Mono	Mono	Mono	Delta	Star
Air flow	m³/h	1083	855	2499	1758	3943	3800	2755
Heating capacity (1)	kW	10,3	8,89	21,3	17,3	33,2	32,5	26,9
Water flow (1)	l/h	905	785	1882	1529	2935	2871	2376
Water pressure drop (1)	kPa	13	10	19	13	12	11	8
Sound power level (2)	dB(A)	64	59	76	65	74	76	69
Power input	W	69	50	210	114	340	330	180

AREO H		43	43	43	53	53	53	63	63	63
Power supply	V-ph-Hz	230-1-50	400-3-50	400-3-50	230-1-50	400-3-50	400-3-50	230-1-50	400-3-50	400-3-50
Speed rotor	n ° poli	4	4	6	6	4	6	6	6	8
Motor connections	-	Mono	Delta	Star	Mono	Delta	Star	Mono	Delta	Star
Air flow	m³/h	6080	6223	5035	5890	7505	6128	8100	7885	6175
Heating capacity (1)	kW	50,4	51,1	45,2	56,2	64,8	57,5	99,7	80,5	69,2
Water flow (1)	l/h	4454	4512	3991	4960	5720	5079	8802	7106	6112
Water pressure drop (1)	kPa	25	25	20	16	20	16	29	19	15
Sound power level (2)	dB(A)	75	77	70	69	76	72	70	71	66
Power input	W	635	690	465	375	732	775	560	575	380

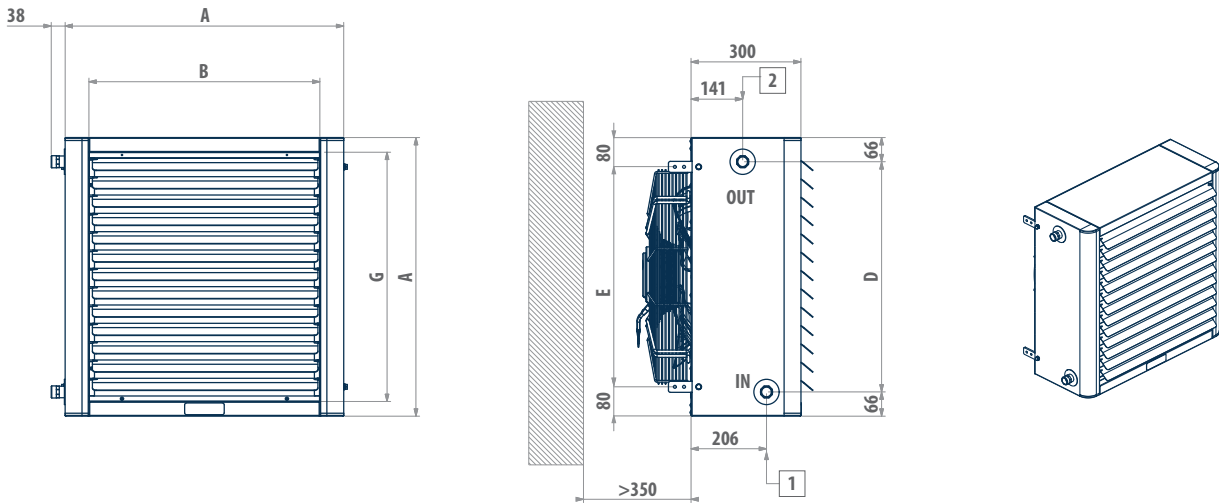
(1) Water temperature 85/75 °C, air temperature 15 °C

(2) Sound power measured according to standards ISO 3741 and ISO 3742

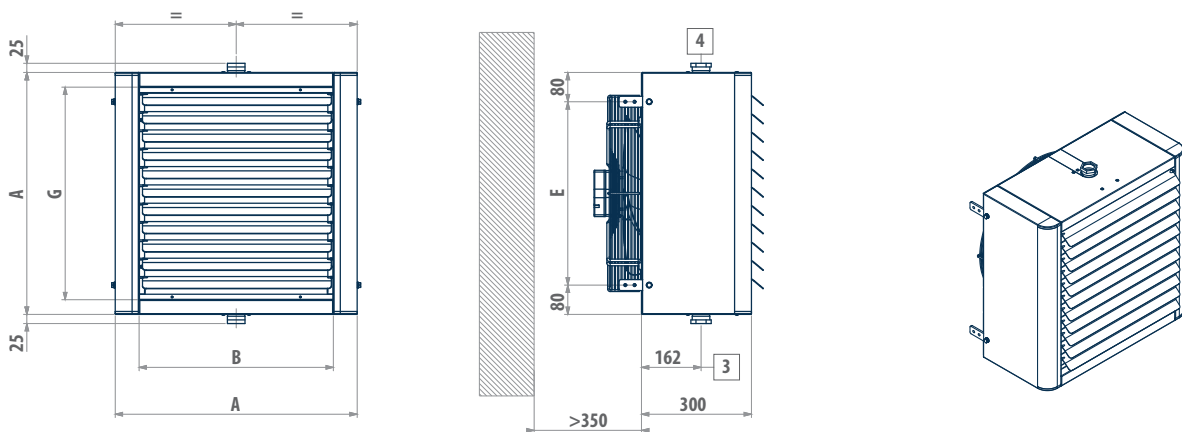


Dimensional drawings

AREO P - L



AREO H - S



AREO P - L LEGEND

- 1 Water inlet connection, male gas
- 2 Water outlet connection, male gas

AREO H - S LEGEND

- 3 Water inlet connection, female gas
- 4 Water outlet connection, female gas

AREO P - L	A	B	D	E	G	1	2
12 - 13 - 14	460	330	300	380	380	3/4"	3/4"
22 - 23 - 24	560	430	400	480	480	3/4"	3/4"
32 - 33 - 34	660	530	500	580	580	1"	1"
42 - 43 - 44	760	630	600	680	680	1"	1"
52 - 53 - 54	860	730	700	780	780	1" 1/4	1" 1/4
62 - 63 - 64	960	830	800	880	880	1" 1/4	1" 1/4

AREO H	AREO S	A	B	E	G	3	4
13	12*	460	330	300	380	3/4"	3/4"
23	22*	560	430	400	480	3/4"	3/4"
33	32*	660	530	500	580	1"	1"
43	42*	760	630	600	680	1"	1"
53	52*	860	730	700	780	1" 1/4	1" 1/4
63	62*	960	830	800	880	1" 1/4	1" 1/4

* Water connections (3-4) Ø 1" 1/4